

# Visuline® 2400.1 Series with DisplayLight™ Semi-Recessed Display



## SUBMITTED FOR APPROVAL

This product is scheduled for shipment the week of :

Date \_\_\_\_\_

Production cannot begin until one (1) copy of these drawings is returned with your signature of approval by :

Date \_\_\_\_\_, otherwise rescheduling will be necessary. Drawing revisions may also require rescheduling.

Retain \_\_\_\_\_ Set(s)

Return \_\_\_\_\_ Set(s)

## Customer Approval Required *(Check appropriate box)*

Purchaser \_\_\_\_\_

By (Print name & title clearly) \_\_\_\_\_

Signature \_\_\_\_\_ Date \_\_\_\_\_

Approved for Production

Approved as noted

Not approved  
Resubmit with changes  
Product subject to rescheduling

## FOR REFERENCE ONLY *(Customer Waives Approval)*

### Production Has Begun

This product is scheduled for shipment the week of :

Date \_\_\_\_\_

It is understood that customer, in waiving formal approval procedure, assumes full responsibility for the specifications, dimensions and details included herein.

## APCO Use

Project Name \_\_\_\_\_ **APCO Order No.** \_\_\_\_\_

Customer Order No. \_\_\_\_\_

Original Submittal Date : \_\_\_\_\_

Prepared by (Print clearly) \_\_\_\_\_

Revision (Date) \_\_\_\_\_

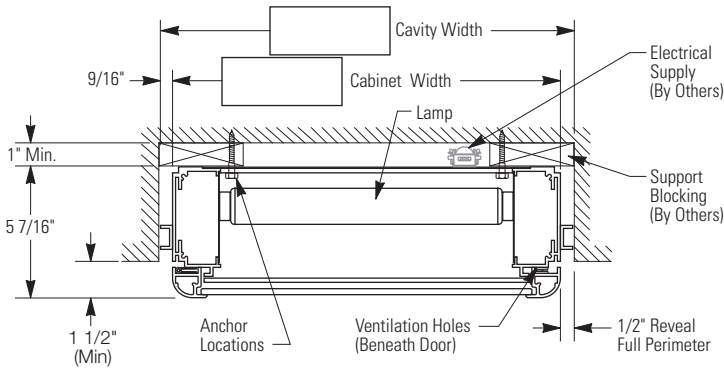
All design rights reserved.

# Visuline® 2400.1 Series with DisplayLight™ Semi-Recessed Display

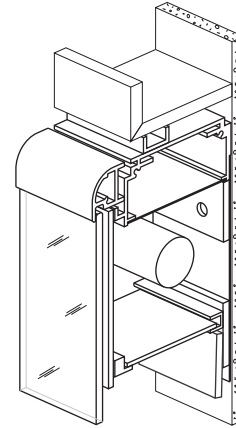


## Product Details

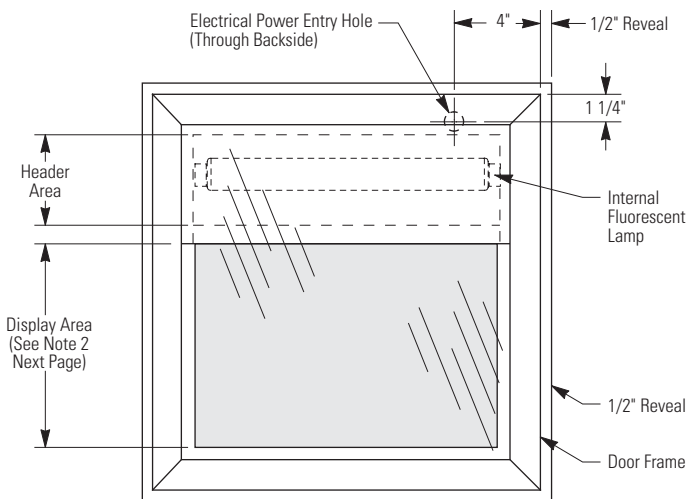
### Section : Plan View



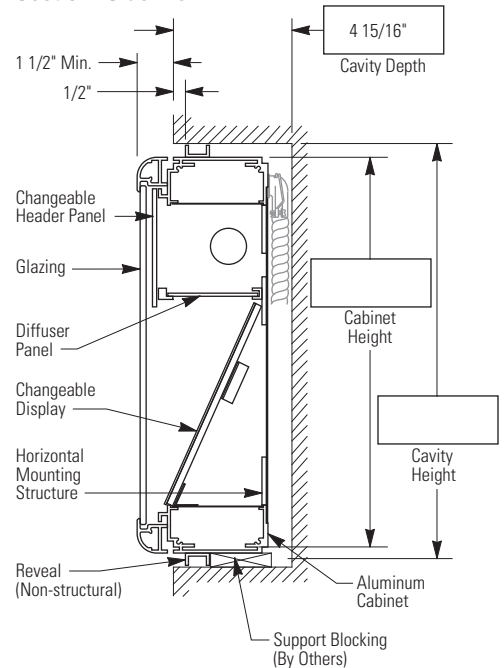
### Cut-away Isometric View



### Elevation : Front View

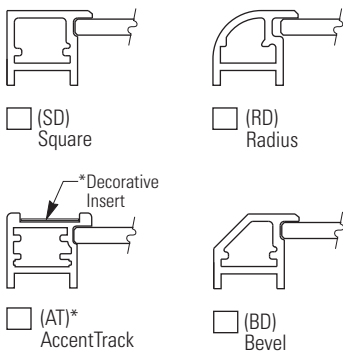


### Section : Side View



### Door Profile Options

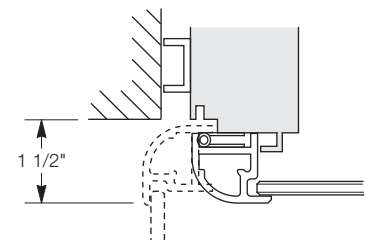
All shapes available in aluminum.



\* AccentTrack door accommodates insert materials 1" wide and up to .090" thick, furnished either by APCO or by customer.

### Door Operating Clearance

Front face of door must protrude a minimum 1-1/2" from surrounding surface for door to fully open. Any variation may require factory changes.



**IMPORTANT :**  
See "Installation / Mounting Details" page to determine Cavity Dimensions.

# Visuline® 2400.1 Series with DisplayLight™ Semi-Recessed Display



## Specifications

### Product

- Interior Use
- Exterior Use

Size: H. \_\_\_\_\_ W. \_\_\_\_\_ D. 5-7/16"

Estimated Weight \_\_\_\_\_

### Wall Cavity

See Note 1

- Existing Cavity
- To Be Constructed

Size: H. \_\_\_\_\_ W. \_\_\_\_\_ D. \_\_\_\_\_

### Door Frame Shape

- Square  AccentTrack
- Radius
- Bevel

### Hinge Location

- Left
- Top  
*(Opens approx. 60°, 75° or 90°, depending on door size & shape)*
- Other \_\_\_\_\_

### Door Locking Device

- 3M "Dual Lock" Fastener *(Included)*

### Glazing

- Clear Tempered Safety Glass  
*(See Note 3)*

### Note 1

Wall cavity size is determined by adding cabinet housing, surrounding reveal and installation clearance. Cavity opening calculations for a standard 1/2" wide reveal is illustrated on "Installation / Mounting Details" page.

### Note 2

Display area is calculated by subtracting 10-13/16" from cabinet height and 4-1/16" from cabinet width.

$$\frac{\text{Cabinet Height}}{\text{Display Height}} - 10 \frac{13}{16}'' = \frac{\text{Cabinet Width}}{\text{Display Width}} - 4 \frac{1}{16}'' =$$

### Note 3

Clear glass has a natural slight green tint. Though typically unnoticeable, it may affect the appearance of certain colors. Composite glazing (i.e. Acrylic, Lexan, etc.) is not used. These materials are not as strong as tempered glass, they are more vulnerable to scratches and expansion enhances imperfections in their natural uneven and wavy surfaces.

### Note 4

All display components are available for interior use. Refer to Product Technical Manual for those components approved for exterior applications.

### Reveal

- 1/2" Wide *(Standard)*
- Other \_\_\_\_\_

### Finishes

#### Door

- Natural Satin Anodized
- 313 Dark Bronze Anodized
- 315 Black Anodized
- Other \_\_\_\_\_

#### Housing

- Natural Satin Anodized
- 313 Dark Bronze Anodized
- 315 Black Anodized
- Other \_\_\_\_\_

### Reveal

- Natural Satin Anodized
- 313 Dark Bronze Anodized
- 315 Black Anodized
- Other \_\_\_\_\_

### Electrical

#### Voltage

- 120V, 60Hz  277V, 60Hz
- Amperage \_\_\_\_\_

#### Power Entry

- Upper Right Corner Thru Backside  
*(Standard)*
- Other \_\_\_\_\_  
*(Show on "Product Details" page)*

#### Lamps

Type \_\_\_\_\_  
Quantity \_\_\_\_\_

### Special Comments

\_\_\_\_\_

\_\_\_\_\_

### Component Information

See Notes 2 & 4

- Single Component Configuration
- Multiple Component Configuration  
*(Provide Format)*

### Header

- 6" *(Illuminated Height - Standard)*
- Other \_\_\_\_\_
- Illuminated  Non-Illum.  Blank

### Directory

#### Informer Message Strips *(Molded Plastic)*

- I-50; 1/2" x 9"
- Color: \_\_\_\_\_ Total Qty.: \_\_\_\_\_
- I-100; 1" x 9"
- Color: \_\_\_\_\_ Total Qty.: \_\_\_\_\_

### Accord15™ SignBands

Part Code	Length	Color	Qty.
_____	_____	_____	_____
_____	_____	_____	_____
_____	_____	_____	_____
_____	_____	_____	_____
_____	_____	_____	_____
_____	_____	_____	_____
_____	_____	_____	_____
_____	_____	_____	_____
_____	_____	_____	_____
_____	_____	_____	_____

### Accord15™ SignBands w/ Paper Insert

Part Code	Length	Color	Qty.
_____	_____	_____	_____
_____	_____	_____	_____
_____	_____	_____	_____
_____	_____	_____	_____
_____	_____	_____	_____
_____	_____	_____	_____
_____	_____	_____	_____
_____	_____	_____	_____
_____	_____	_____	_____
_____	_____	_____	_____
_____	_____	_____	_____

### Maps or Plans

Size: H. \_\_\_\_\_ W. \_\_\_\_\_

### Magnetic Board

Size: H. \_\_\_\_\_ W. \_\_\_\_\_  
Color: \_\_\_\_\_

### Cork Board

Size: H. \_\_\_\_\_ W. \_\_\_\_\_  
Color: \_\_\_\_\_

### Fabric Board

Size: H. \_\_\_\_\_ W. \_\_\_\_\_  
Color: \_\_\_\_\_

### Custom Components

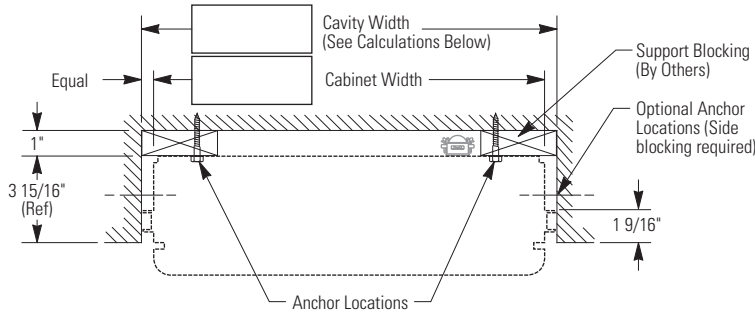
- Complete Specifications Provided

# Visuline® 2400.1 Series with DisplayLight™ Semi-Recessed Display



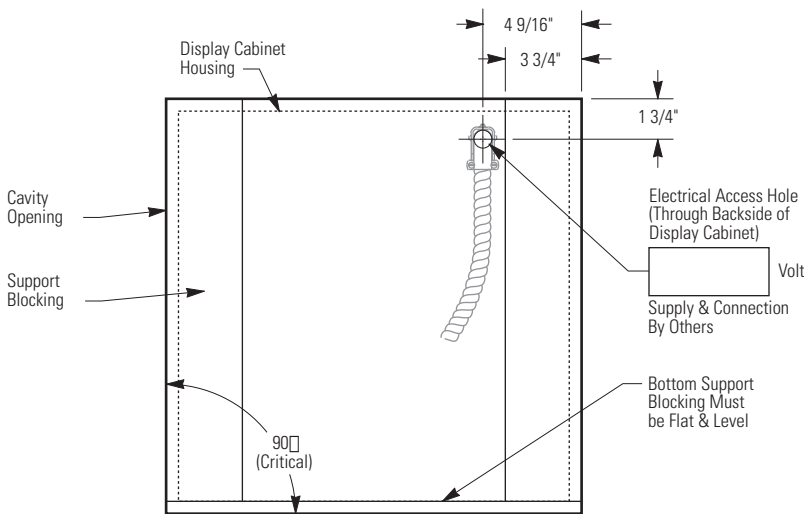
## Installation / Mounting Details

### Section : Plan View

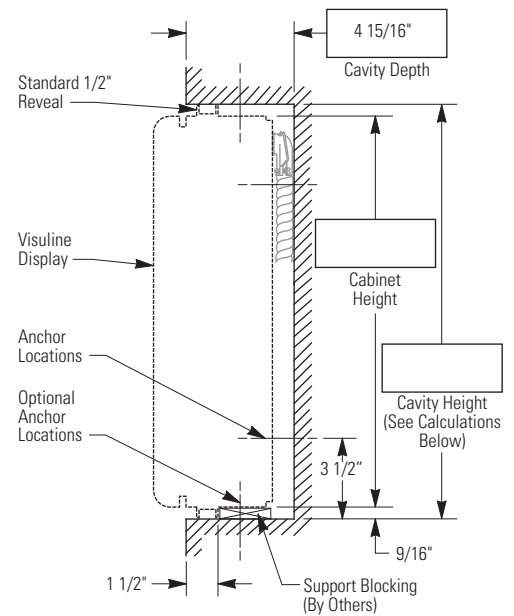


**IMPORTANT :**  
**APCO IS NOT RESPONSIBLE FOR CAVITY CONSTRUCTION WHICH VARIES FROM SPECIFICATIONS SHOWN ON THIS PAGE.**  
**Wall cavity opening must be precisely constructed in terms of size, squareness and depth. Size calculations and cavity opening tolerances are shown below.**

### Elevation : Front View



### Section : Side View



### Cavity Size : Standard

#### 1/2" Reveal

A standard 1/2" perimeter Reveal is provided to offset the variance between the cabinet housing and the cavity. To determine cavity opening, add 1-1/8" to both the cabinet's height and width.

$$\boxed{\text{Cabinet Height}} + 1-1/8" = \boxed{\text{Cavity Height}}$$

$$\boxed{\text{Cabinet Width}} + 1-1/8" = \boxed{\text{Cavity Width}}$$

These calculations include a 1/2" Reveal and 1/16" installation clearance around full perimeter.

**Overall cavity tolerance is +1/8", minus 0".**

